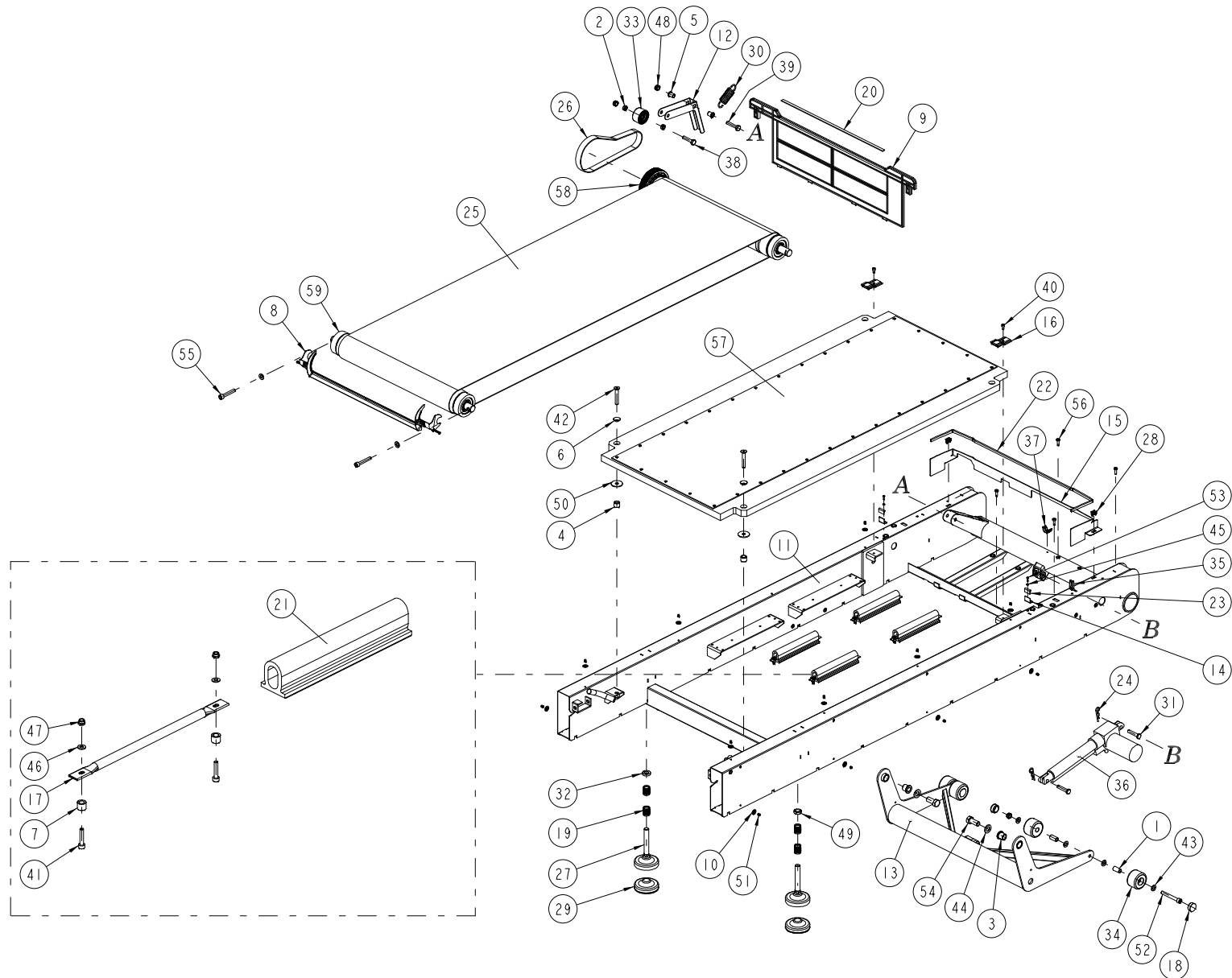


Rif. Ref.	Codice Code	Descrizione	Description	Q.tà Q.ty
1	0B000613AA	Boccola flang. 10x14x11,5 18x2	Bushing 10x14x11.5 18x2	4
2	0C000372	Tappo TGS	Plug for EXCITE display	1
3	0C000337AE	Carter posteriore	Rear covering	1
4	0C000349AA	Carter laterale dx	Right side casing	1
5	0C000350AA	Carter laterale sx	Left side casing	1
6	0D000884	Piattello d'aggancio	Connection plate	8
7	0D000849AA	Maniglione dx	Right handlebar for EXCITE	1
8	0D000861AA-AL	Montante dx	Right upright for RUN EXCITE	1
9	0D000862AA-AL	Montante sx	Left upright for RUN EXCITE	1
10	0D000865AA	Maniglione sx	Left handlebar for EXCITE	1
11	0D001222AB	Poggiapiedi dx	Right footboard	1
12	0D001223AB	Poggiapiedi sx	Left footboard	1
13	0G041	Passacavo 18x27x10	Cable duct 18x27x10	2
14	0G000311AA	Copertura maniglione dx ant.	Right handle cover	1
15	0G000312AA	Copertura maniglione post.	Rear handle cover	2
16	0G000317AA	Copertura maniglione sx ant.	Left handle cover	1
17	0V2118	Fermacavo "RICHCO"	Cable clamp	1
18	0V2278	Fermacavo "RICHCO"	Cable clamp	2
19	W0004103AA	Scatola azionamento AT	AT drive	1
	W0004102AA	Scatola azionamento AT-UL	AT-UL drive	1
20	0WK00381AB	Scatola alimentazione AT	AT power supply	1
	0WK00394AA	Scatola alimentazione AT-UL	AT-UL power supply	1
21	0Z149	VTCEI M10x35 8.8 ZN UNI5931	Bolt M10x35 8.8 Z black	12
22	0Z351	Rosetta dentata 10,5x18x2,7 Z	Notched washer d.10.5	2
23	0Z775	VTBIC 5x14 ZN LN UNI1441 (autof.)	Self-threading screw 5x14	2

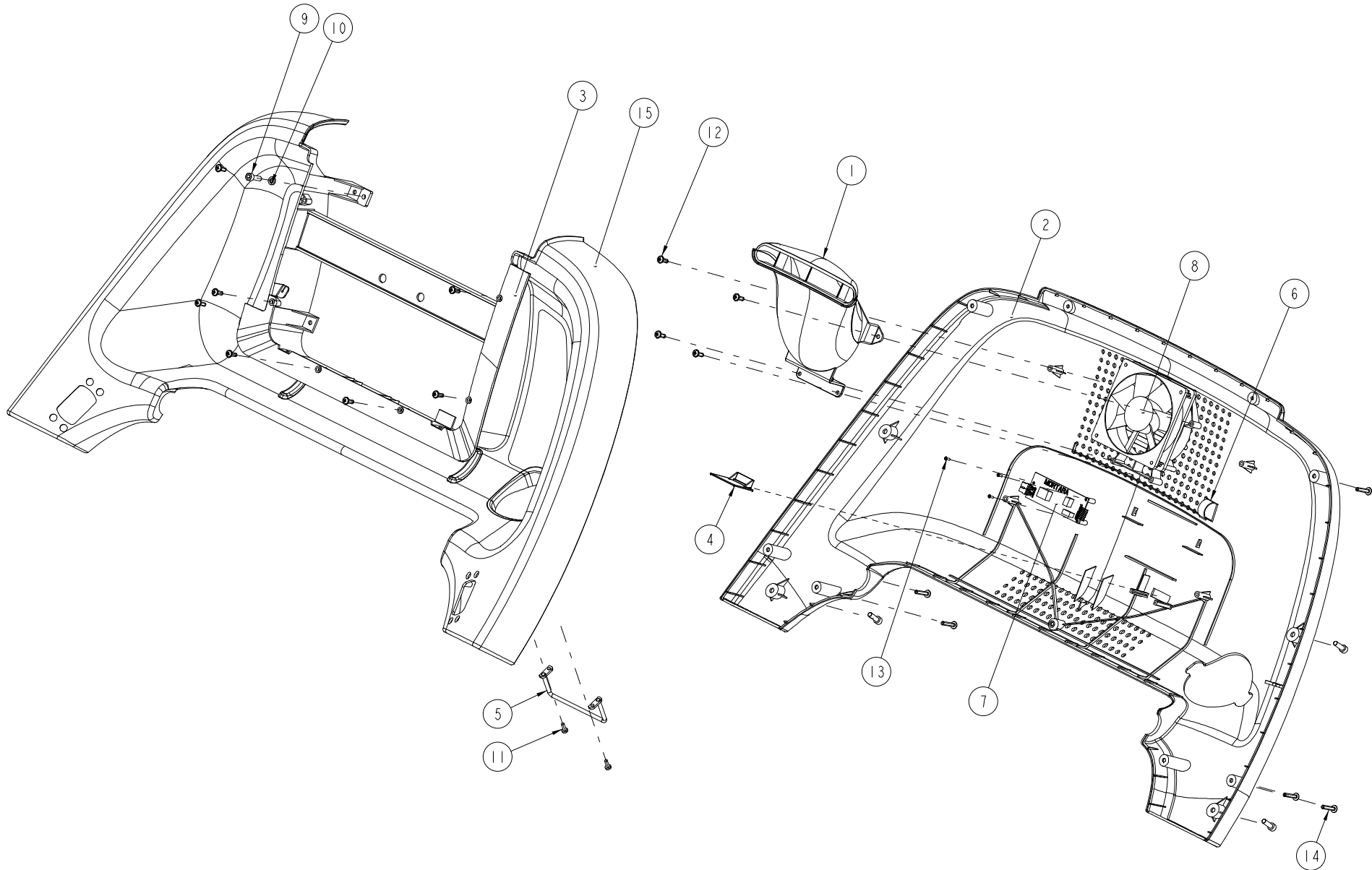
Rif. Ref.	Codice Code	Descrizione	Description	Q.tà Q.ty
24	0ZR00047AA	Anello compensaz. 21,8x15,8x0,2	Spacer 21.8x15.8x0.2	4
25	0ZV00091	VTBEI M6x20 A2-70 IX UNI7380	Bolt M6x20 A2-70 IX	4
26	0ZV00104	VTBEI M4x12 IX UNI7380	Bolt M4x12 IX	8
27	W0000803AC	Grp joystick dx	Right joystick assembly	1
28	W0001254AE	Grp maniglione centrale 700/900	Central handlebar ass.	1
29	W0000837AC	Grp joystick sx	Left joystick assembly	1
30		Vedi pagina 2/13	See page 2/13	1
31		Vedi pagina 6/13	See page 6/13	1
33	R0001256AA	Grp carter anteriore superiore	Front upper casing assembly	1
34		Vedi pagina 6/13	See page 6/13	1
35	Per macchine dal numero di serie D449EE06000757 / D449UE06000777 si devono usare i codici a pagina: For machine from serial number D449EE06000757 / D449UE06000777 , you have to see the page:			
		Vedi pagina 4/13	See page 4/13	1
	Per macchine fino al numero di serie D449EE06000756 / D449UE06000776 si devono usare i codici a pagina: For machine up to serial number D449EE06000756 / D449UE06000776 , you have to see the page:			
36		Vedi pagina 5/13	See page 5/13	1
		Vedi pagina 9/13	See page 9/13	1

! "0WK", "R" and "W" codes are exploded in the following pages.
I codici "0WK", "R" and "W" sono esplosi nelle pagine seguenti.



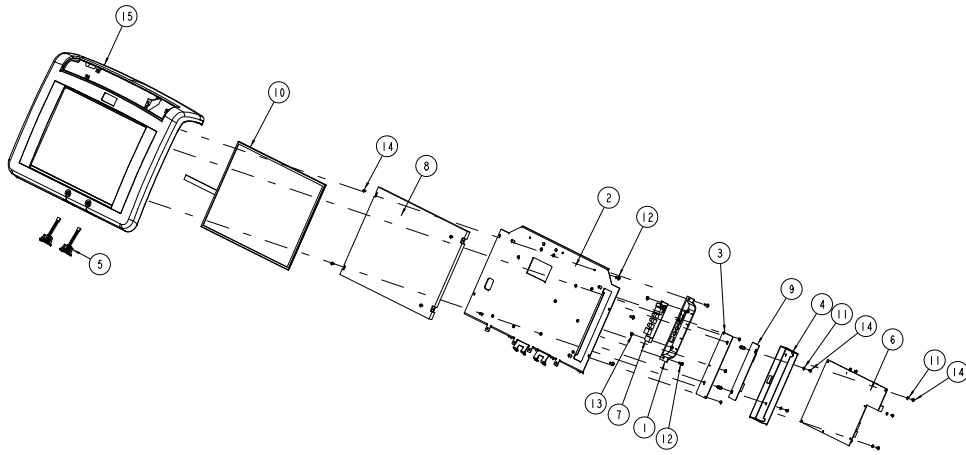
Rif. Ref.	Codice Code	Descrizione	Description	Q.tà Q.ty
1	0B000083	Distanziale 10,2x14,5x28	Spacer 10.2x14.5x28	4
2	0B304	Distanziale 10x17x6,5	Spacer 10x17x6.5	2
3	0B000444	Bocc.sint.br 16x22x22-28x3,5	Bushing 16x22x22-28x3.5	2
4	0B000584	Distanziale	Spacer	2
5	0B000637AA	Boccola	Bushing	2
6	0B000656AA	Rosetta	Washer	2
7	0B000714AB	Distanziale 6x10x8	Spacer 6x10x8	8
8	0C000347AA	Protezione mobile	Protection	1
9	0C000359AA	Pannello protez. polvere	Dust guard	1
10	0D000884	Piattello d'aggancio	Connection plate	16
11	0D000801AG	Telaio	Frame for RUN EXCITE	1
12	0D000897AA	Braccio tendicinghia	Belt tensioner lever	1
13	0D000952AA	Carrello up/down	Elevation carriage	1
14-23	W0004104AA	Piatto	Plate	2
15	0D001368AA	Lamiera rinforzo carter	Plate for casing support	1
16	0D001783AB	Finecorsa 6mm	Stop plate 6mm	2
17	0D001797AA	Profilato	Fixing rod	4
18	0G000030	Tappo per tubi d.30	Cap d.30	4
19	0G000032	Soffietto in gomma	Rubber bellows	4
20	0G0069	Antivibrante adesivo	Shock absorber with adhesive	0.5 (m)
21	W0001248AA	Grp ammortizzatore RUN EXCITE	Shock absorber ass. for EXCITE	4
22	0G000448AA	Guarnizione	Gasket	0.9 (m)
24	0K000183	Copiglia d.2,5 UNI3823	Split pin d.2.5	2
25	0K000221AA	Nastro	Tread belt for EXCITE	1
26	0K000258	Cinghia "Poly"	Belt	1
27	0K000161AA	Piede M16x100 d.85	Foot M16x100 d.85	2
28	0K000308AA	Fermaglio	Clip	2
29	0K000357AA	Piedino RUN EXCITE d.85	Foot d.85	2
30	0M000079	Molla tendicinghia	Tensioner Spring	1
31	0P000304	Perno d.10x50 UNI22341-B	Pin d.10x50	2
32	0P682	Ghiera M16	Ring nut M16	1

Rif. Ref.	Codice Code	Descrizione	Description	Q.tà Q.ty
33	0U000121	Rullo tendicinghia compl.	Tensioner belt roller	1
34	0U316-GG	Ruota stampata	Drop-forged wheel	4
35	0WB00060	Porta cavo	Cable duct	1
36	0WR00233AB	Attuatore "GENTACT"	Elevation motor	1
37	0WR00342AA	Rivetto di massa	Rivet	1
38	0Z019	VTE M10x45 8.8 Z UNI5739	Bolt M10x45 8.8 Z	1
39	0Z020	VTE M10x50 8.8 Z UNI5739	Bolt M10x50 8.8 Z	1
40	0Z114	VTCEI M6x10 8.8 Z UNI5931 TF	Bolt M6x10 8.8 Z	2
41	0Z133	VTCEI M4x20 8.8 Z UNI5931	Bolt M4x20 8.8 Z	8
42	0Z224	VTSPEI M10x65 10.9 Z UNI5933	Bolt M10x65 10.9 Z	2
43	0Z306	Rosetta 10,5x21x2 Z UNI6592	Washer 10.5x21x2 Z	10
44	0Z308	Rosetta 17x30x3 Z UNI6592	Washer 17x30x3 Z	2
45	0Z329	Rosetta dentata 4,3x8x1,5 Z	Ext. Notched washer d.4.3 Z	2
46	0Z343	Rosetta 4,3x9x0,8 Z UNI6592	Washer 4.3x9x0.8 Z	8
47	0Z401	Dado M4 Z UNI7474 (autob.)	Self-locking nut M4 Z	8
48	0Z415	Dado M10 Z UNI7474 (autob.)	Self-locking nut M10 Z	4
49	0Z429	Dado M16 Z UNI5589	Nut M16 low Z	1
50	0ZR00013	Rosetta 10,5x40x2,5 UNI6593	Washer 10.5x40x2.5	2
51	0ZS00096AA	Rivetto alluminio 4x10 Z UNI9200-A	Aluminium rivet 4x10	16
52	0ZV00070	VTCEI M10x80 8.8 Z UNI5931	Bolt M10x80 8.8	2
53	0ZV00104	VTBEI M4x12 IX UNI7380	Bolt M4x12 IX	2
54	0ZV00112	VTE M16x37 8.8 Z	Bolt M16x37 8.8 Z	2
55	0ZV00133AB	VTCEI M10x60 TF 8.8 Z UNI5931	Bolt M10x60 8.8 Z	2
56	0ZV00143AA	VTCCIC M6x20 Z UNI7687	Screw M6x20 Z	4
57	H0002570AD	Grp pianale di corsa	Running deck assembly	1
58	W0002609AA	Grp rullo anteriore	Front roller assembly	1
59	W0002611AA	Grp rullo posteriore	Rear roller assembly	1



Rif. Ref.	Codice Code	Descrizione	Description	Q.tà Q.ty
1	0C000377	Condotto di ventilazione	Air duct	1
2	0C000367AA	Plancia inferiore	Lower dashboard	1
3	0C000504AA	Retro display WTV	Rear WELLNESS TV display	1
4	0C001119AA-GG	Tappo	Plug	1
5	0D001312AC-AL	Gancio portaborraccia	Water bottle support	1
6	0V2127AA	Fermacavo	Cable clamp	1
7	0WQ00269AA	Scheda hand-sensor MORTARA	Hand-sensor board	1
8	0WR00179	Ventola	Fan	1
9	0Z104	VTCEI M6x20 8.8 Z UNI5931	Bolt M6x20 8.8 Z	6

Rif. Ref.	Codice Code	Descrizione	Description	Q.tà Q.ty
10	0Z320	Rosetta dentata 6,4x11x2,1 Z	Ext. Notched washer d.6.4 Z	1
11	0Z733	VTCCIC M4x12 Z UNI7687	Screw M4x12 Z	2
12	0Z775	VTBIC 5x14 ZN LN UNI1441 (autof.)	Self-threading screw 5x14	14
13	0ZV00006	VTBIC 2,5x8 LN UNI1442 Z (autof.)	Self-threading screw 2.5x8	3
14	0ZV00024	VTBIC 5x25 ZN LN UNI1441 (Autof.)	Self-threading screw 5x25 Z	6
15	H0001360AA	Plancia sup. completa 900	Upper dashboard assembly	1

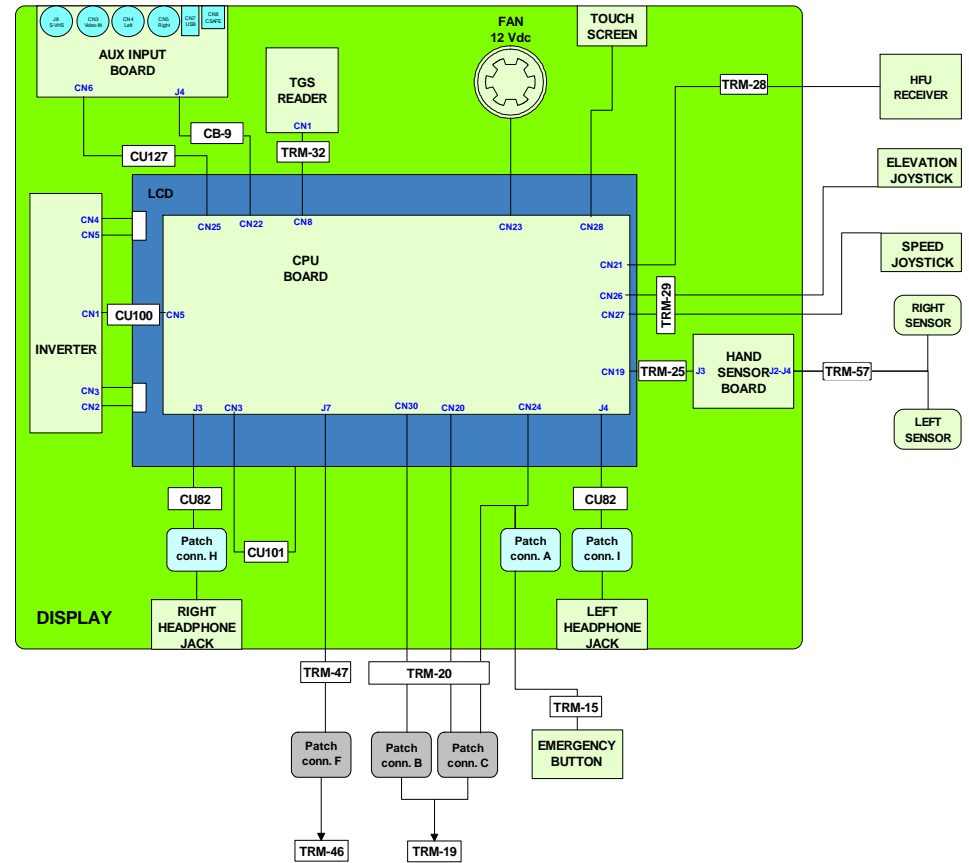


Per macchine da numero di serie:

For machine from serial number:

D447EE06001479 / D447UE06000701

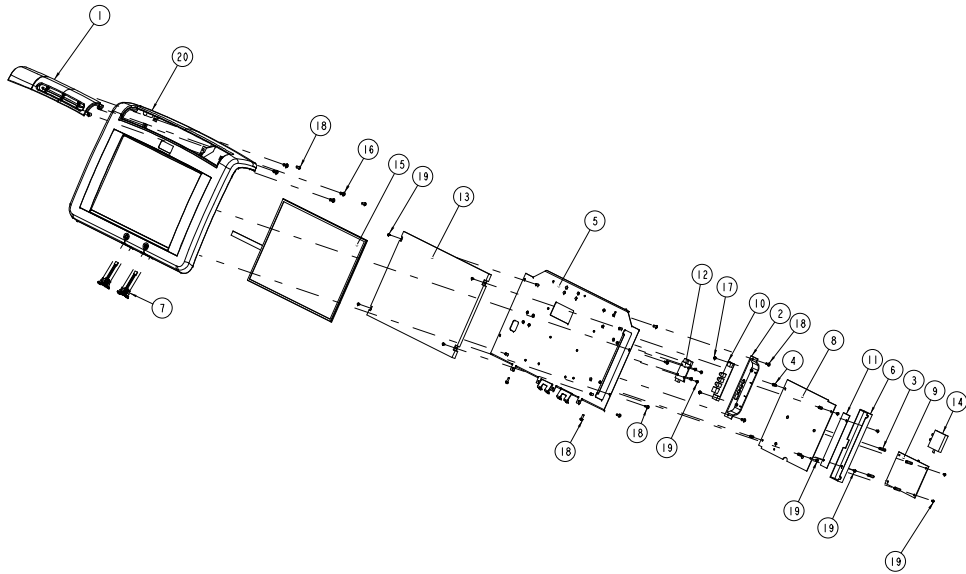
D449EE06000757 / D449UE06000777



Rif. Ref.	Codice Code	Descrizione	Description	Q.tà Q.ty
1	0C000508AD-GG	Scatola connettori	Aux connectors board support	1
2	0D001358AF	Lamiera TV	Plate for WTV electronics	1
3	0D003090AA	Lamiera	Plate	1
4	0N000579AA	Protezione inverter 15"	LCD inverter covering plate	1
5	0WK00352AB	Connettore cuffia	Headphone input connector	2
6	0WQ00344AA-(#)	Scheda CPU 15" UB	CPU board for WTV 15" UB	1
7	0WQ00346AA	Scheda connettori	Aux input board	1
8	0WR00343AB	Display SAMSUNG 15"	SAMSUNG display 15"	1
9	0WR00596AA	Scheda inverter 15" FRONTEK	FRONTEK inverter 15" board	1
10	0WT00053AB	TOUCH SCREEN 15" 4 fili	TOUCH SCREEN keyboard 15"	1
11	0Z349	Rosetta dentata 3,2x6x1,2 Z	Ext. notched washer 3.2 Z	8
12	0Z733	VTCCIC M4x12 Z UNI7687	Screw M4x12 Z	11
13	0Z7018	VTBIC 3,5x6 LN UNI1442 Z (autof.)	Self-threading screw 3.5x6	2
14	0ZV00004	VTCCIC M3x6 Z UNI7687	Screw M3x6 Z	12
15	W0002568AA	Supporto display TV	TV display support	1

(#) Complete the code with any language abbreviation from the list below:
 -E: Europeo - European, -U: Americano - American.

Riferimento Reference	Codice Code
CB-9	0WC00447AB
CU82	0WCU0082AA
CU100	0WCU0100AA
CU101	0WCU0101AA
CU127	0WCU0127AA
TRM-15	0WC00323AB
TRM-19	0WC00327AA
TRM-20	0WC00328
TRM-25	0WC00333AC
TRM-28	0WC00336AC
TRM-29 (only for Run 900)	0WC00337
TRM-32	0WC00340AA
TRM-46	0WC00444AC
TRM-47	0WC00445AA
TRM-57	0WCU0000AA

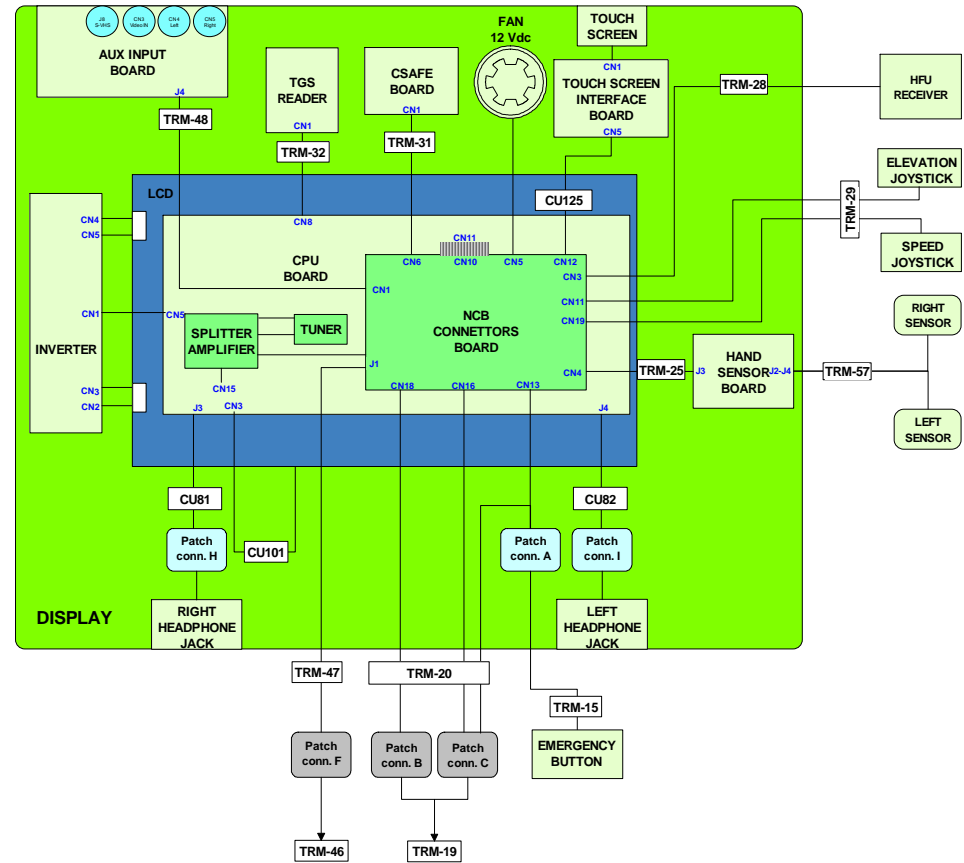


Per macchine fino numero di serie:

For machine up to serial number:

D447EE06001478 / D447UE06000700

D449EE06000756 / D449UE06000776



Rif. Ref.	Code Code	Descrizione	Description	Q.tà Q.ty
1	0C000370	Griglia	Ventilation duct	1
2	0C000508AB	Scatola connettori	Aux connectors board support	1
3	0D001220AA	Barra easagonale	Hexagonal threaded Spacer	4
4	0D001225AA	Barra easagonale	Hexagonal threaded Spacer	4
5	0D001358AE	Lamiera TV	Plate for WTV electronics	1
7	0WK00352AB	Connettore cuffia	Headphone input connector	2
8	0WQ00093AB-(#)	Scheda gestione controllo CPU T.S.	CPU board for WTV 15" T.S.	1
9**	0WQ00094AA	Scheda porta connettori WTV	Connector board	1
10	0WQ00098AA	Scheda connettori	Aux input board	1
6-11	W0004295AA	Grp Inverter 15" FRONTEK	FRONTEK inverter 15" assembly	1
12	0WQ00260AA	Scheda controller TOUCH SCREEN	TOUCH SCREEN interface board	1
13	0WR00343AB	Display SAMSUNG 15"	SAMSUNG display 15"	1
14	0WR00507AA-(#)	Splitter WTV 12"/15"	Splitter WTV 12"/15"	1
15	0WT00053AB	TOUCH SCREEN 15" 4 fili	TOUCH SCREEN keyboard 15"	1
16	0Z775	VTBIC 5x14 ZN LN UNI1441 (autof.)	Self-threading screw 5x14	4
17	0Z7018	VTBIC 3,5x6 LN UNI1442 Z (autof.)	Self-threading screw 3.5x6	2
18	0Z733	VTCCIC M4x12 Z UNI7687	Screw M4x12 Z	15
19	0ZV00004	VTCCIC M3x6 Z UNI7687	Screw M3x6 Z	18
20	W0002568AA	Supporto display TV	TV display support	1

(#) Complete the code with any language abbreviation from the list below:
-E: Europeo - European, -U: Americano - American.

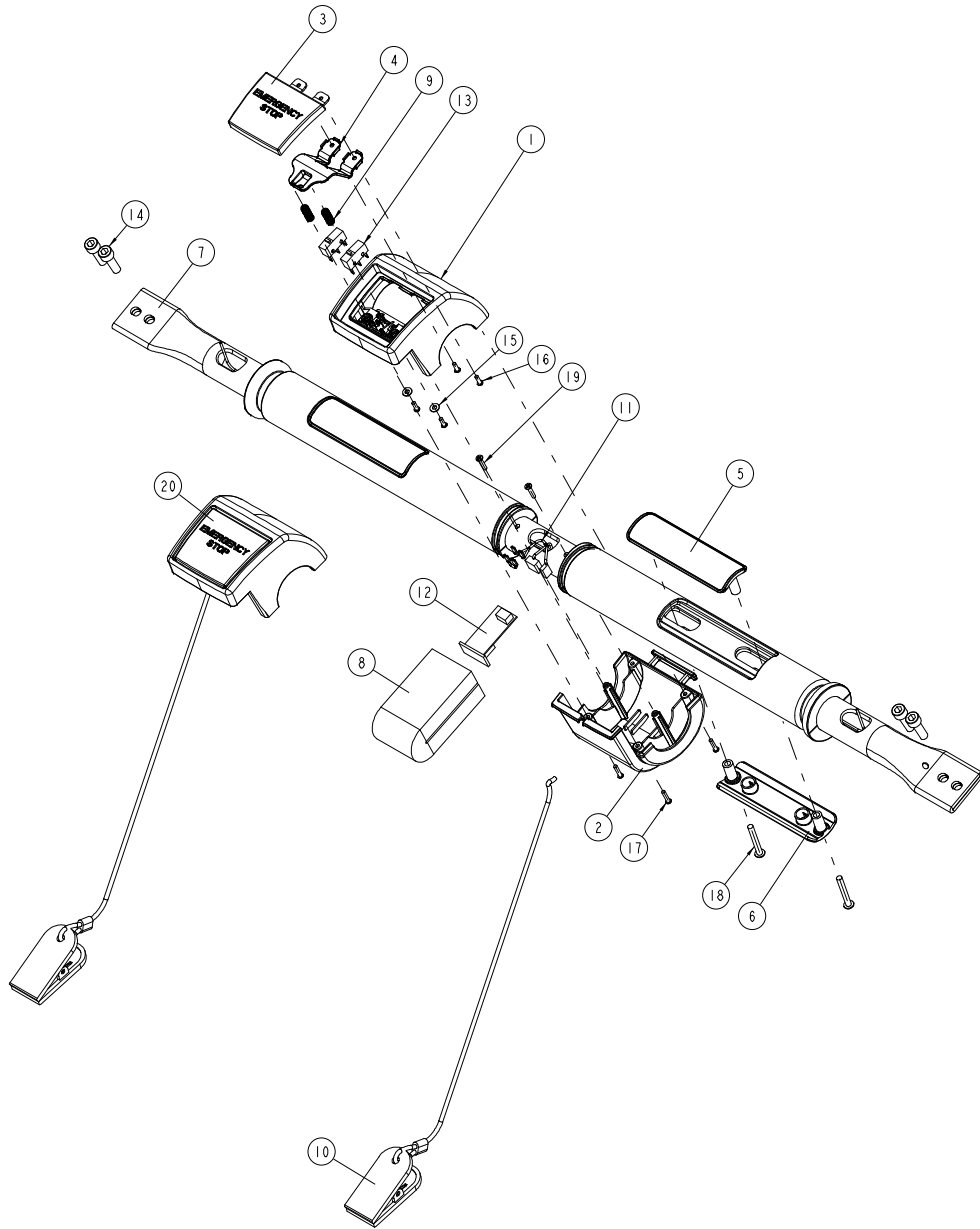
! The splitter "0WR00507AA-(#)" is included in the board "0WQ00093AB-(#)".
La scheda "0WQ00093AB-(#)" comprende lo splitter "0WR00507AA-(#)".

****** **NOTA - WARNING**
Per macchine fino ai seguenti numeri di serie, si deve usare il codice:
For machine up to the following serial numbers, you have to use the code:
D449EE04000007 / D447EE04000015

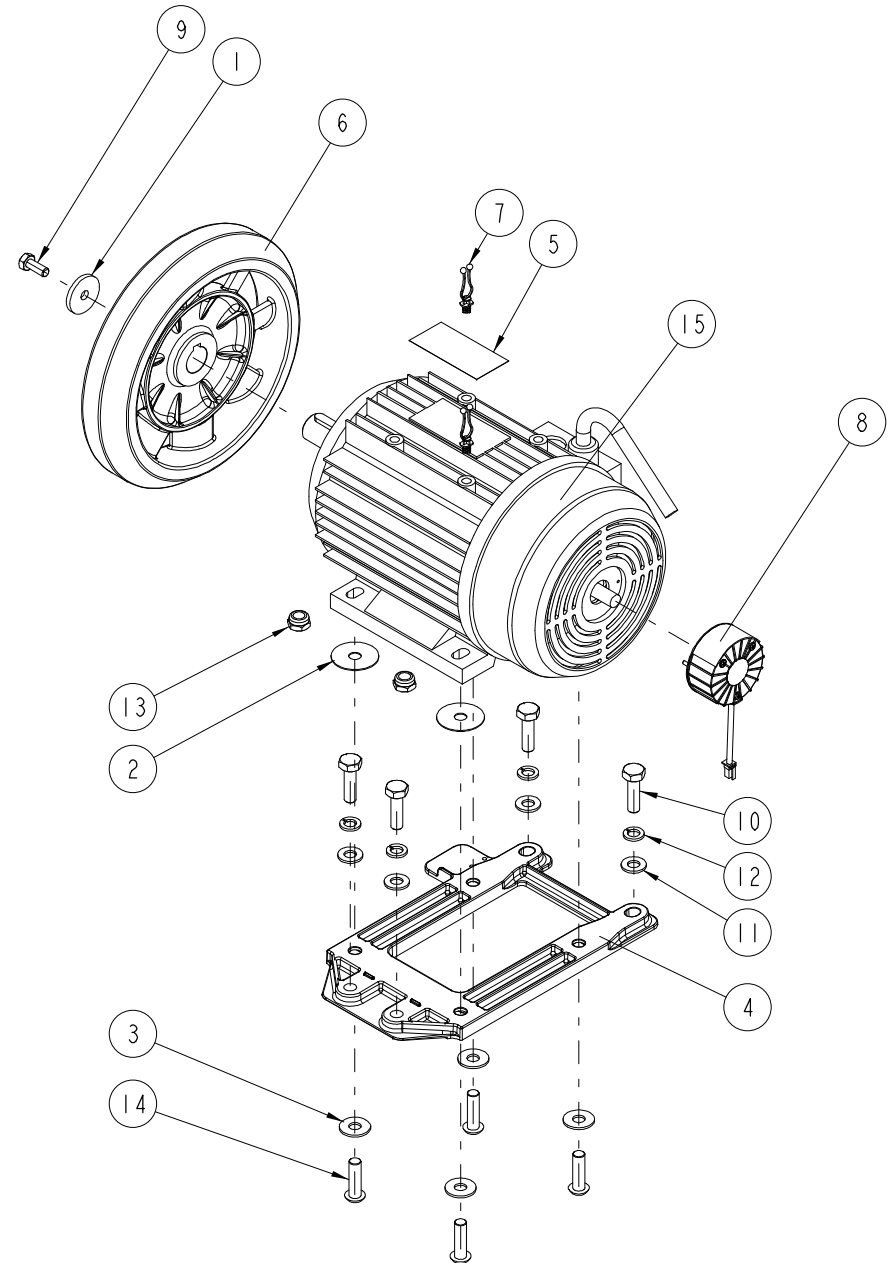
9	0WQ00094	Scheda porta connettori WTV	Connector board	1
---	----------	-----------------------------	-----------------	---

Riferimento Reference	Code Code
CU101	0WCU0101AA
CU125	0WCU0125AA
CU81	0WCU0081AA
CU82	0WCU0082AA
TRM-15	0WC00323AB
TRM-19	0WC00327AA
TRM-20	0WC00328
TRM-25	0WC00333AC
TRM-28	0WC00336AC
TRM-29	0WC00337
(only for Run 900)	
TRM-31	0WC00339AA
TRM-32	0WC00340AA
TRM-46	0WC00444AC
TRM-47	0WC00445AA
TRM-48	0WC00463AA
TRM-57*	0WCU0000AA
C-SAFE board	0WQ00051AA

*** NOTA - WARNING**
Per macchine fino al numero di serie D449EE04000188, D447EE04000319 e D447UE04000001; si deve usare il cavo:
For machine up to serial number D449EE04000188, D447EE04000319 e D447UE04000001; you have to use the cable:
0WC00334AD (TRM-26)



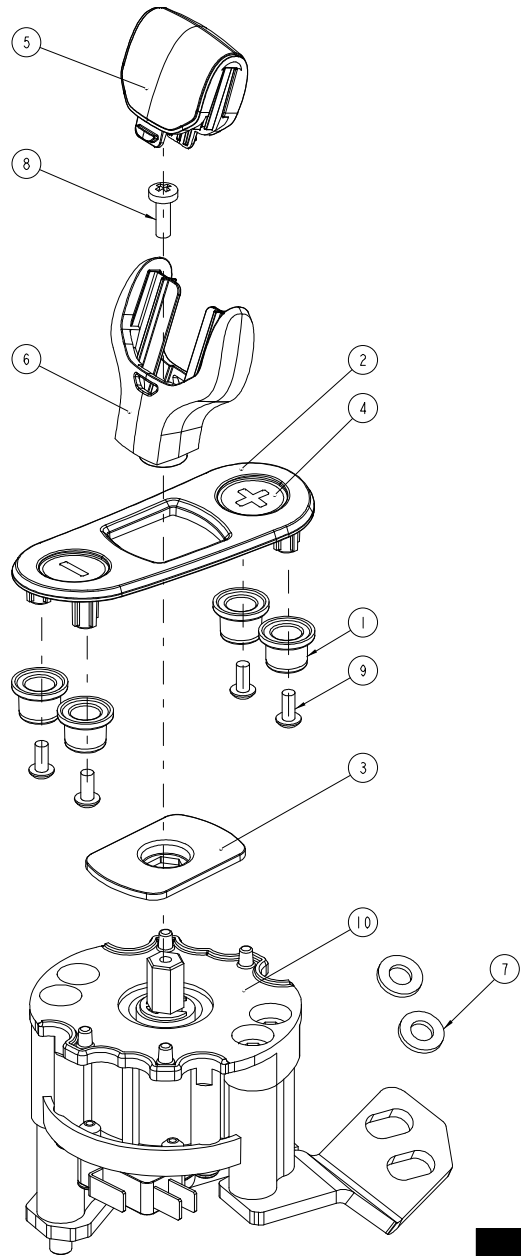
W0001254AF



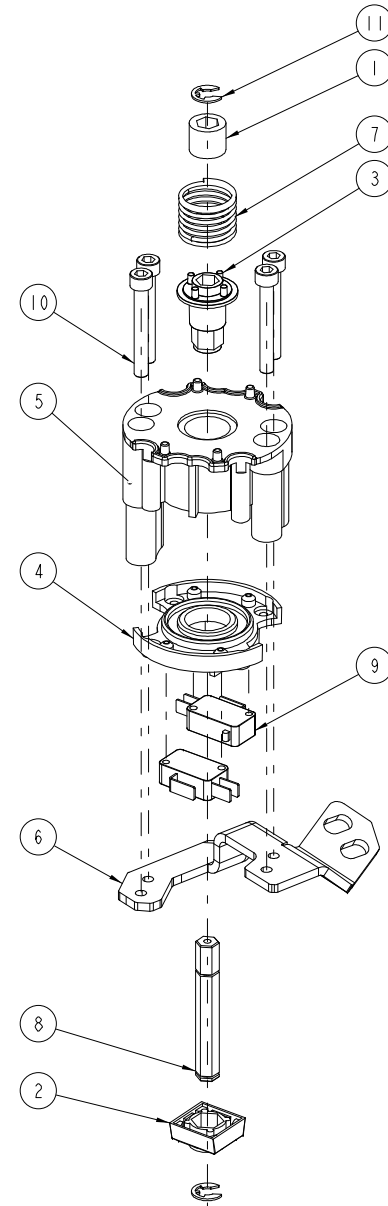
Rif. Ref.	Codice Code	Descrizione	Description	Q.tà Q.ty
1	0C000391AB	Guscio cardiorecettore sup.	Upper receiver housing	1
2	0C000392AB	Guscio cardiorecettore inf.	Lower receiver housing	1
3	0C000432AA	Tasto emergenza	Emergency button	1
4	0C000438AA	Supporto emergenza	Emergency button support	1
5*	0C000580AA	HS superiore	Hand sensor upper plate	2
6*	0C000581AA	HS inferiore	Hand sensor lower plate	2
7		Maniglione cent. RUN 700/900	Central handlebar	1
8	0G000218	Spugna 135x40x15	Sponge 135x40x15	1
9	0M000108AA	Molla a compressione D=5 L=24 d=0,4	Spring D=5 L=24 d=0.4	2
10	0R000071AB	Corda con molletta	Cable with clamp	1
11*	0WK00295AF	Grp cavi man. cent. 700/900	Cables for central handlebar	1
12	0WR00285	Ricevitore cardiotest HFU	POLAR HFU receiver	1
13	0WR00294	Microswitch	Microswitch	2
14	0Z104	VTCEI M6x20 8.8 Z UNI5931	Bolt M6x20 8.8 Z	4
15	0Z342	Rosetta 3,2x7x0,5 Z UNI6592	Washer 3.2x7x0.5 Z	2
16	0ZV00006	VTBIC 2,5x8 LN UNI1442 Z (autof.)	Self-threading screw 2.5x8	4
17	0ZV00007	VTBIC 2,5x12 LN UNI1442 Z (autof.)	Self-threading screw 2.5x12	4
18	0ZV00127	VTBIC 4x30 LN UNI1442 IX (autof.)	Self-threading screw 4x30	4
19	0ZV00137AA	VTSPIC 2,5x12 LN UNI1443 Z (autof.)	Self-threading screw 2.5x12	2
20	R0000828AA	Grp tasto emergenza	Emergency button assembly	1

Rif. Ref.	Codice Code	Descrizione	Description	Q.tà Q.ty
1	0B000490AA	Distanziale 8,5x35x4	Spacer 8.5x35x4	1
2	0B000610AA	Piatto distanziale	Washer	4
3	0B000736AA	Piatto	Washer	4
4	0C000385AA	Isolante motore	Motor insulator	1
5	0EKD004	Adesivo alta tensione	White high-power sticker 8.5x4	1
6	0F000040AA	Volano motore	Flywheel	1
7	0WR00351AA	Fermacavo "RICHCO"	Cable duct -RICHCO-	2
8	0WR00405AA	Encoder ELTRA	ELTRA encoder	1
9	0Z001	VTE M8x20 8.8 Z UNI5739	Bolt M8x20 8.8 Z	1
10	0Z044	VTE M10x35 8.8 Z UNI5739	Bolt M10x35 8.8 Z	4
11	0Z306	Rosetta 10,5x21x2 Z UNI6592	Washer 10.5x21x2 Z	4
12	0Z323	Rosetta 10,5x17,5x2,2 UNI1751-B	Washer 10.5x17.5x2.2	4
13	0Z415	Dado M10 Z UNI7474 (autob.)	Self-locking nut M10 Z	4
14	0ZV00176AA	VTBEI M10x35 Z UNI7380	Bolt M10x35 Z	4
15	0WR00500AA	Motore 1.8 KW	Motor 1.8 KW	1

* NOTA - WARNING				
	Per macchine fino ai seguenti numeri di serie, si deve usare il codice: For machine up to serial numbers, you have to use the code:			
	D447EL04000399 / D447EE04000319 / D447UE04000001 / D449EL04000165 / D449EE04000188			
5-6	H0003405AA	Grp placche HS	Hand sensor plate assembly	2
11	0WK00295AD	Grp cavi man. cent. 700/900	Cables for central handlebar	1



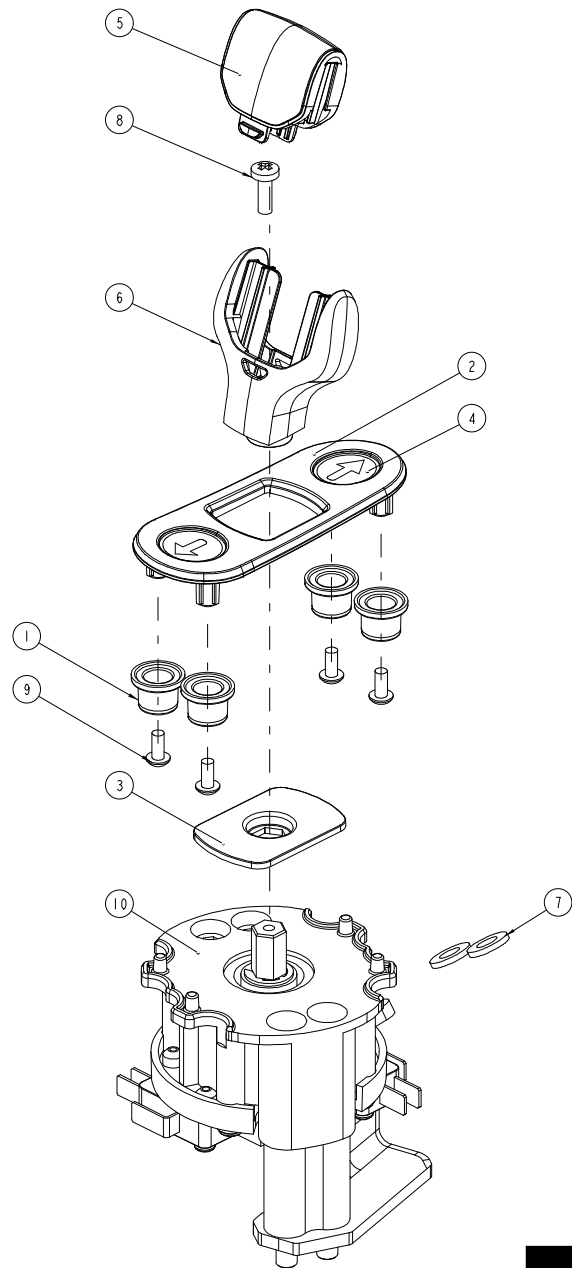
W0000803AC



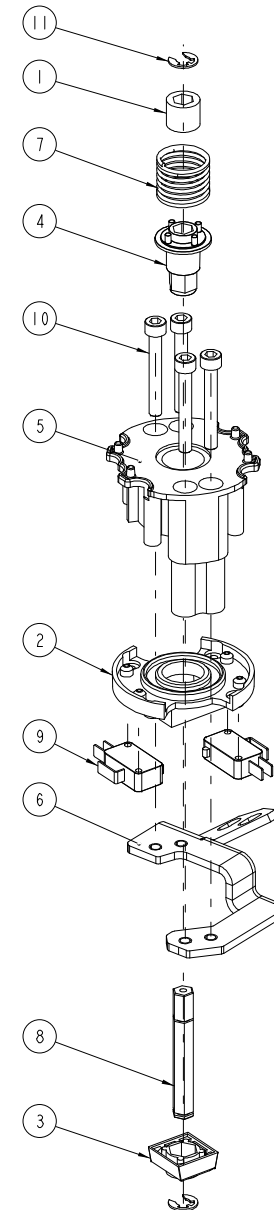
Rif. Ref.	Code	Descrizione	Description	Q.tà Q.ty
1	0B000544AA	Boccola	Bushing	4
2	0C000378	Colletto joystick dx	Right joystick casing	1
3	0C000382AA	Tendina scorrevole	Joystick covering	1
4	0E000443AA	Adesivo joystick dx	Joystick sticker for RUN 900	1
5	0G000261AA	Copertura joystick	Upper covering for joystick	1
6	0N000192	Impugnatura joystick	Joystick lever	1
7	0Z332	Rosetta 6,4x12x1,6 ZN UNI6592	Washer 6.4x12x1.6 Z black	2
8	0Z733	VTCCIC M4x12 Z UNI7687	Screw M4x12 Z	1
9	0ZV00136AA	VTBIC 3,5x8 Z LN UNI1442 (autof.)	Self-threading screw 3.5x8	4
10		Vedi assieme a fianco	See group on the side	1

Rif. Ref.	Code	Descrizione	Description	Q.tà Q.ty
1	0B000412AA	Boccola con sede esagonale	Bushing with exagonal hole	1
2	0D000870	Spintore molla joystick	Joystick sprin retainer	1
3	0D000871	Guida stelo joystick	Pin guide	1
4	0D000917	Coperchio inferiore joystick dx	Lower covering for right joys.	1
5	0D000868AA	Corpo joystick	Joystick body	1
6	0D002026AA	Staffa	Bracket	1
7	0M000076	Molla per joystick	Joystick spring	1
8	0P000291AA	Stelo joystick	Joystick pin	1
9	0WR00235	Microswith	Microswith	2
10	0Z153	VTCEI M6x45 8.8 Z UNI5931	Bolt M6x45 8.8 Z	4
11	0ZS00058	Anello el. d.7 UNI7434 (esterno)	External circlip d.7	2

! The sticker 0E000443AA is not included in the assembly "W0000803AC".
Nel gruppo "W0000803AC" non è presente l'adesivo 0E000443AA.



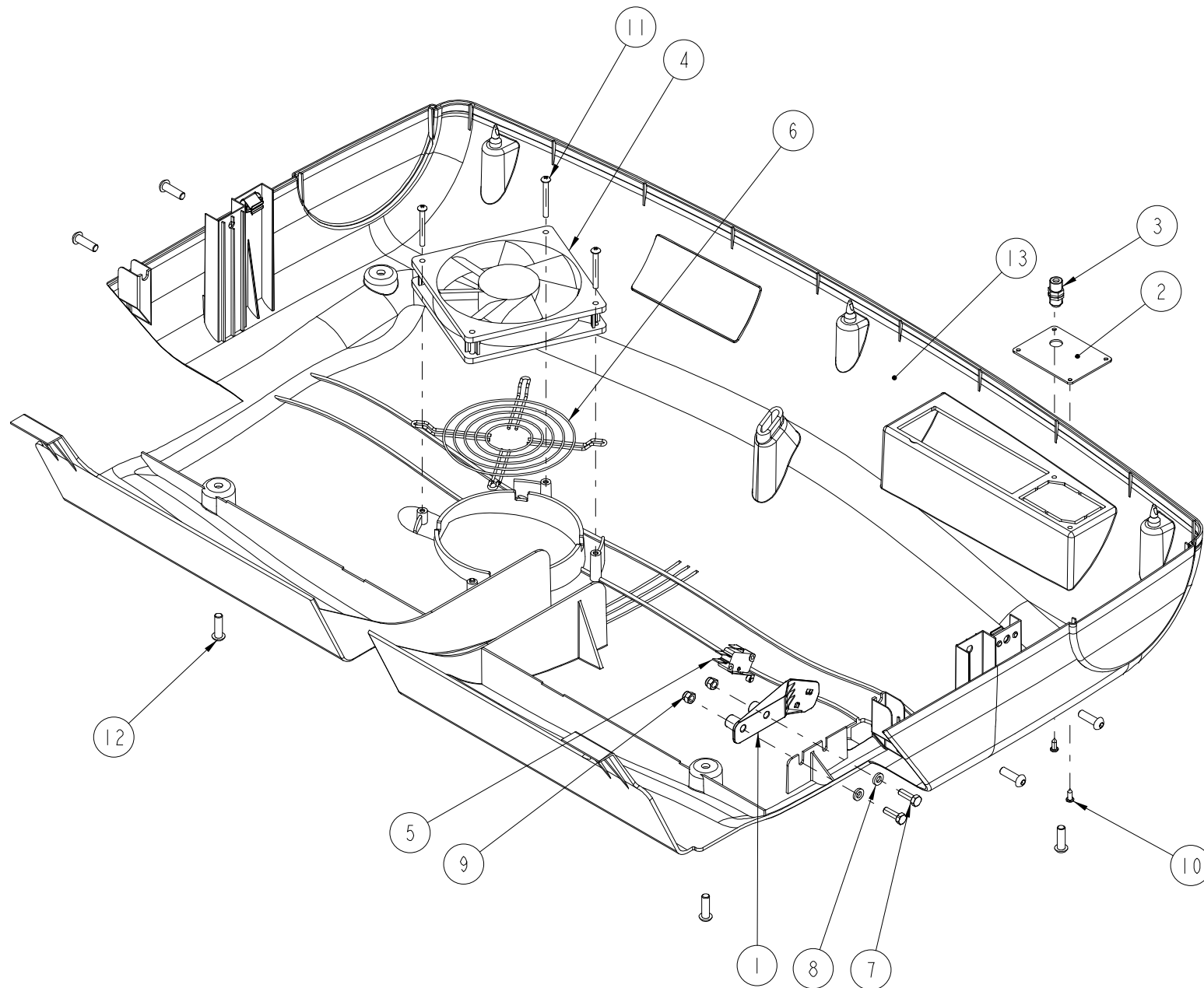
W000837AC



Rif. Ref.	Code	Descrizione	Description	Q.tà Q.ty
1	0B000544AA	Boccola	Bushing	4
2	0C000379	Colletto joystick sx	Left joystick casing	1
3	0C000382AA	Tendina scorrevole	Joystick covering	1
4	0E000459AA	Adesivo joystick sx	Joystick sticker for RUN 900	1
5	0G000261AA	Copertuara joystick	Upper covering for joystick	1
6	0N000192	Impugnatura joystick	Joystick lever	1
7	0Z332	Rosetta 6,4x12x1,6 ZN UNI6592	Washer 6.4x12x1.6 Z black	2
8	0Z733	VTCCIC M4x12 Z UNI7687	Screw M4x12 Z	1
9	0ZV00136AA	VTBIC 3,5x8 Z LN UNI1442 (autof.)	Self-threading screw 3.5x8	4
10		Vedi assieme a fianco	See group on the side	1

Rif. Ref.	Code	Descrizione	Description	Q.tà Q.ty
1	0B000412AA	Boccola con sede esagonale	Bushing with exagonal hole	1
2	0D000869	Coperchio inferiore joystick sx	Lower covering for left joys.	1
3	0D000870	Spintore molla joystick	Joystick sprin retainer	1
4	0D000871	Guida stelo joystick	Pin guide	1
5	0D000868AA	Corpo joystick	Joystick body	1
6	0D002097AA	Staffa	Bracket	1
7	0M000076	Molla per joystick	Joystick spring	
8	0P000291AA	Stelo joystick	Joystick pin	
9	0WR00235	Microswith	Microswith	1
10	0Z153	VTCEI M6x45 8.8 Z UNI5931	Bolt M6x45 8.8 Z	1
11	0ZS00058	Anello el. d.7 UNI7434 (esterno)	External circlip d.7	2

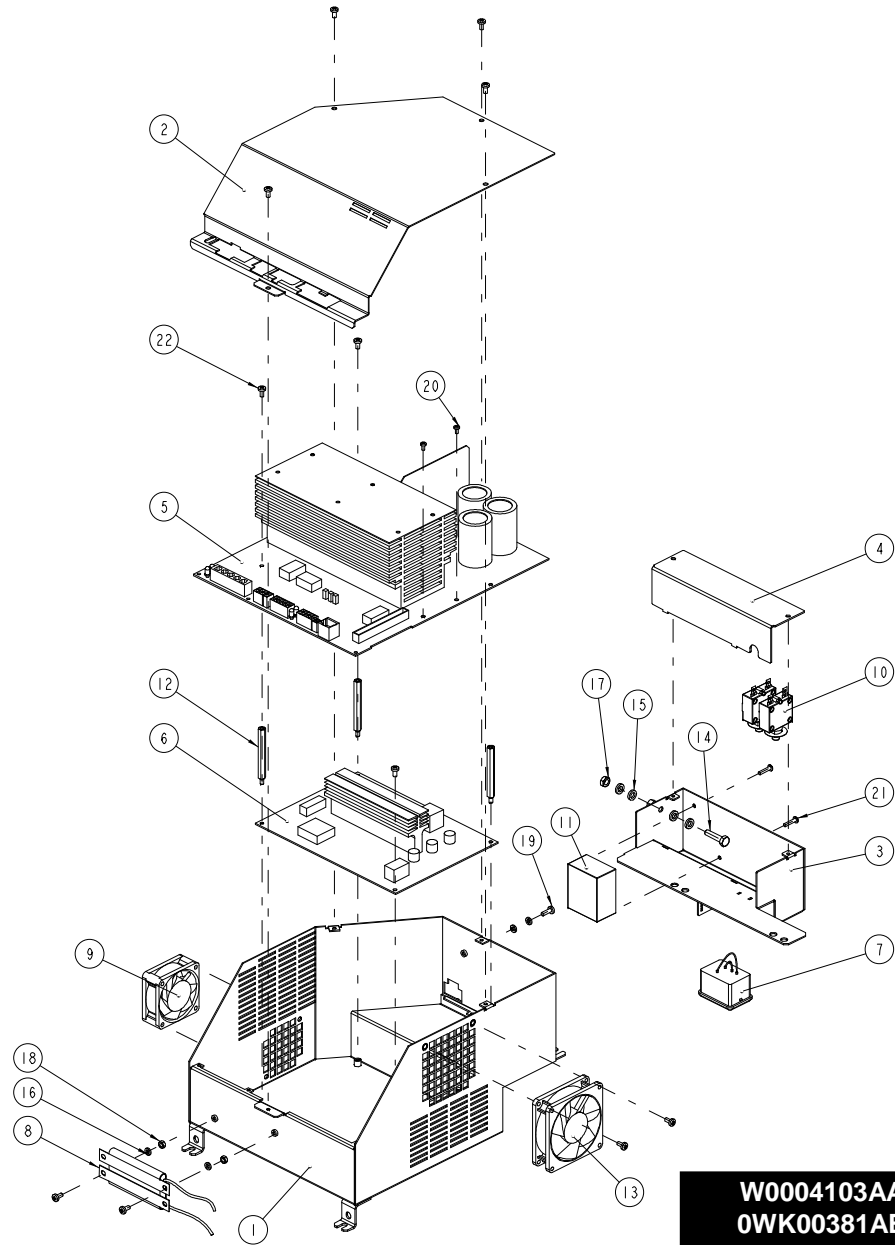
! The sticker 0E000459AA is not included in the assembly "W0000837AC".
Nel gruppo "W0000837AC" non è presente l'adesivo 0E000459AA.



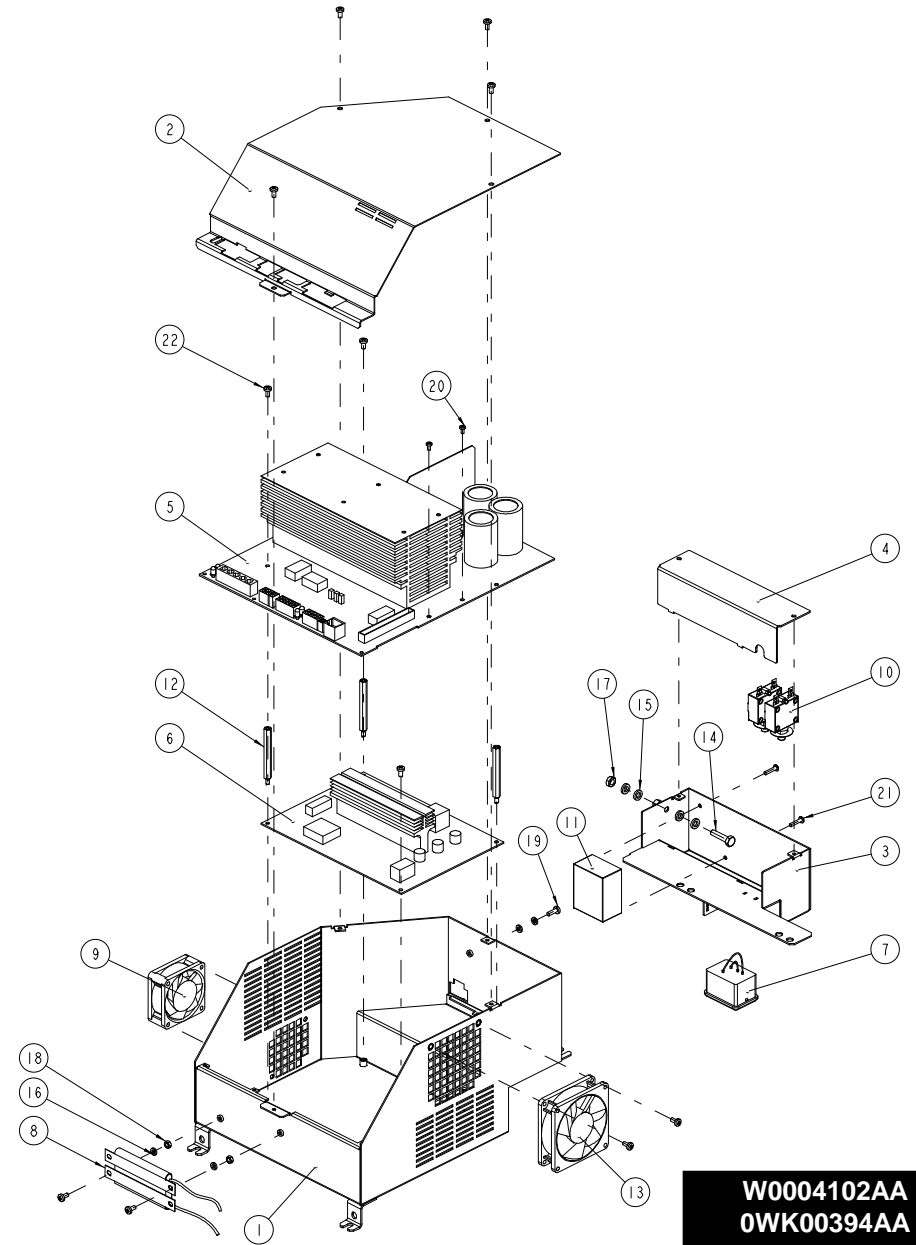
Rif. Ref.	Codice Code	Descrizione	Description	Q.tà Q.ty
1	0D000977	Supporto microswitch	Microswitch support	1
2	0D001627AA	Fermo cavo antenna	Plate for antenna connector	1
3	0K000303AA	Connettore TV di raccordo tipo "F"	TV linking connector	1
4	0WR00242	Ventola	Fan	1
5	0WR00243	Microswitch	Microswitch	1
6	0WR00248	Griglia per ventola	Fan protection	1
7	0Z031	VTE M5x16 8.8 Z UNI5739	Bolt M5x16 8.8 Z	2

Rif. Ref.	Codice Code	Descrizione	Description	Q.tà Q.ty
8	0Z328	Rosetta dentata 5,3x10x1,8 Z	Ext. Notched washer d.5.3 Z	2
9	0Z402	Dado alto M5 Z UNI7473 (autob.)	Self-locking nut M5 high Z	2
10	0Z755	VTBIC 3,5x10 Z UNI6954 (autof..)	Self-threading screw 3.5x10 Z	2
11	0ZV00105	VTBIC 4x35 LN UNI1442 Z (autof.)	Self-threaded screw 4x35	3
12	0ZV00091	VTBEI M6x20 A2-70 IX UNI7380	Bolt M6x20 A2-70 IX	9
13	R0002131AA	Grp carter anteriore inferiore	Front lower casing assembly	1

EUROPEAN

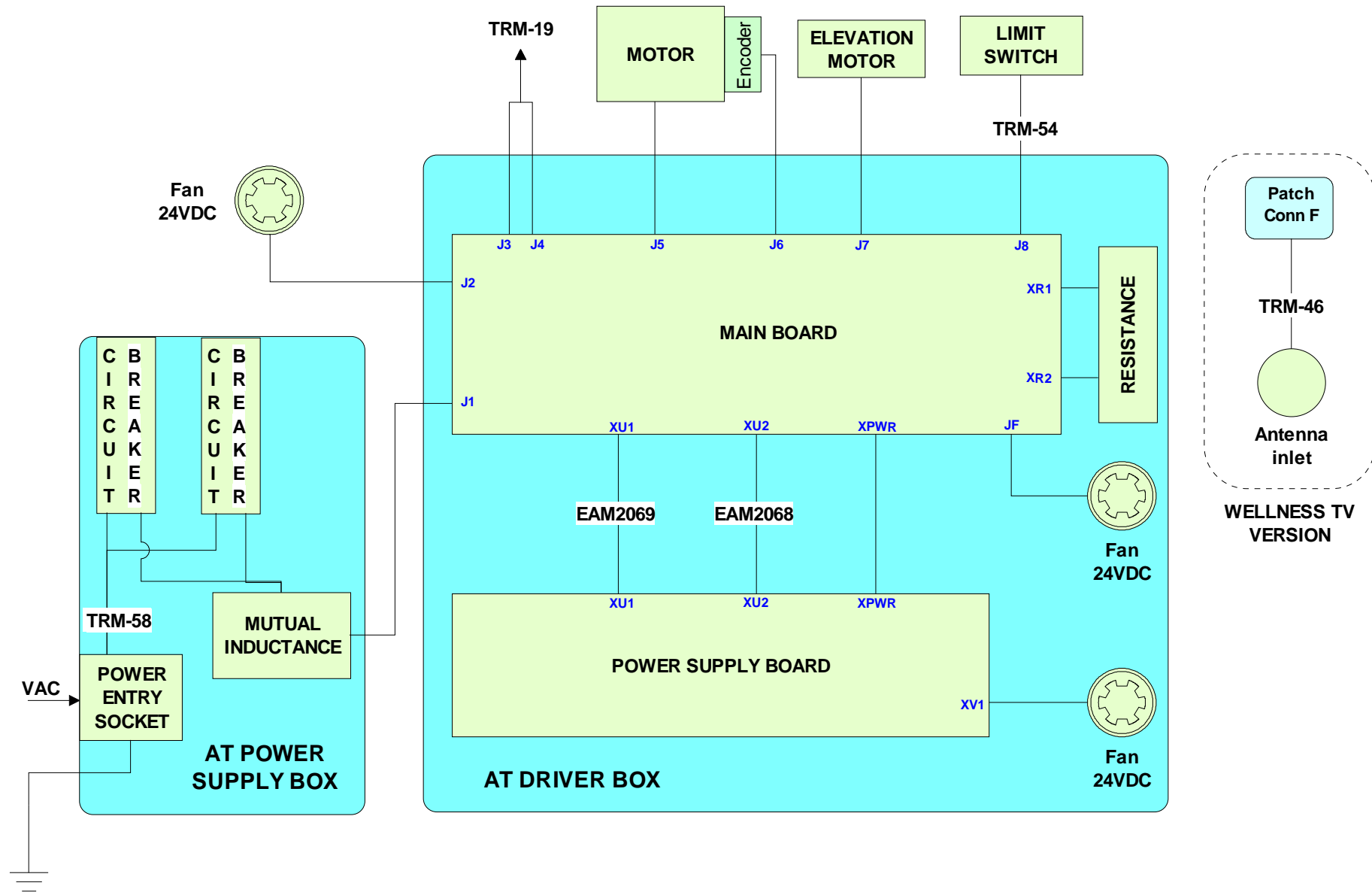


AMERICAN

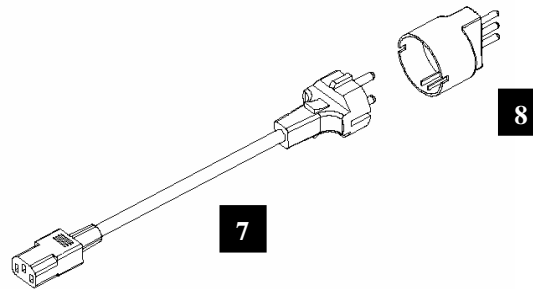
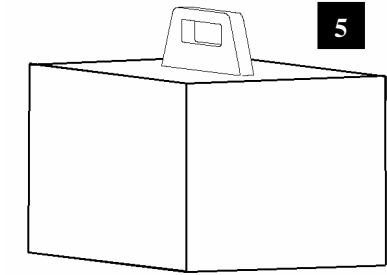
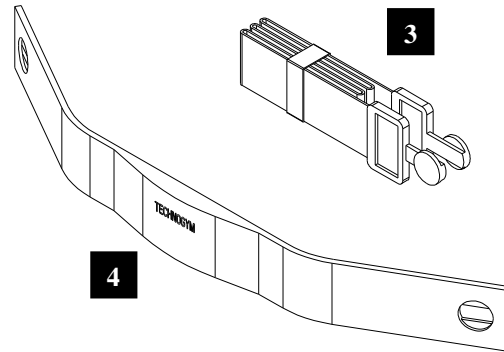
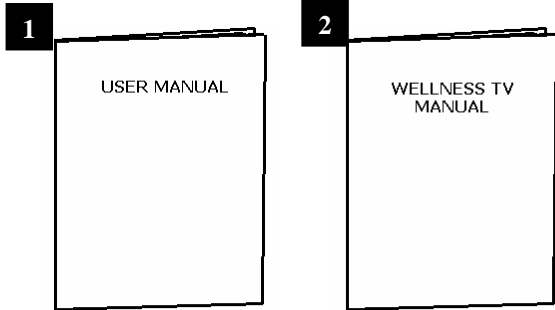


Rif. Ref.	Codice Code	Descrizione	Description	Q.tà Q.ty
1	0D001436AB	Scatola unità elettronica azionamento	AT driver box	1
2	0D001628AA	Coperchio box azionamento	AT driver box cover	1
3	0D001733AB	Scatola	Electronic box	1
4	0D001734AB	Coperchio	Electronic box cover	1
5	0WQ00251AB	Scheda azionamento AT	AT driver board	1
6	0WQ00252AA	Scheda alimentazione AT	AT power supply board	1
7	0WR00439AA	Interruttore spina SCHURTER	Power entry socket	1
8	0WR00467AA	Resistenza 150 OHM	Resistance 150 OHM	1
9	0WR00508AA	Ventola	Fan	1
10	0WR00484AA	Circuit breaker "SANG"	Circuit breaker 16A	2
11	0WR00494AA	Induttanza mutua	Mutual inductance	1
12	0WR00499AA	Distanziale esagonale M4 Ch.7 L=60	Hexagonal spacer M4 Ch.7 L=60	3
13	0WR00468AA	Ventola	Fan	1
14	0Z082	VTE M6x25 10.9 Z UNIN5739	Bolt M6x25 10.9 Z	1
15	0Z320	Rosetta dentata 6,4x11x2,1 Z	Ext. Notched washer d.6.4 Z	4
16	0Z329	Rosetta dentata 4,3x8x1,5 Z	Ext. Notched washer d.4.3 Z	4
17	0Z422	Dado M6 Z UNI5589	Nut M6 Z	1
18	0Z424	Dado basso M4 Z UNI5588	Nut M4 low Z	2
19	0Z733	VTCCIC M4x12 Z UNI7687	Screw M4x12 Z	1
20	0ZV00004	VTCCIC M3x6 Z UNI7687	Screw M3x6 Z	2
21	0ZV00090	VTBIC 3,5x16 LN UNI1442 Z (autof.)	Self-threading screw 3.5x16 Z	2
22	0ZV00152AA	VTCCIC M4x8 Z UN71687	Screw M4x8 Z	11

Rif. Ref.	Codice Code	Descrizione	Description	Q.tà Q.ty
1	0D001436AB	Scatola unità elettronica azionamento	AT driver box	1
2	0D001628AA	Coperchio box azionamento	AT driver box cover	1
3	0D001733AB	Scatola	Electronic box	1
4	0D001734AB	Coperchio	Electronic box cover	1
5	0WQ00278AB	Scheda azionamento AT-UL	AT-UL driver board	1
6	0WQ00277AA	Scheda alimentazione AT-UL	AT-UL power supply board	1
7	0WR00439AA	Interruttore spina SCHURTER	Power entry socket	1
8	0WR00467AA	Resistenza 150 OHM	Resistance 150 OHM	1
9	0WR00508AA	Ventola	Fan	1
10	0WR00509AA	Circuit breaker 20A 125/250VAC	Circuit breaker 20A	2
11	0WR00494AA	Induttanza mutua	Mutual inductance	1
12	0WR00499AA	Distanziale esagonale M4 Ch.7 L=60	Hexagonal spacer M4 Ch.7 L=60	3
13	0WR00468AA	Ventola	Fan	1
14	0Z082	VTE M6x25 10.9 Z UNIN5739	Bolt M6x25 10.9 Z	1
15	0Z320	Rosetta dentata 6,4x11x2,1 Z	Ext. Notched washer d.6.4 Z	4
16	0Z329	Rosetta dentata 4,3x8x1,5 Z	Ext. Notched washer d.4.3 Z	4
17	0Z422	Dado M6 Z UNI5589	Nut M6 Z	1
18	0Z424	Dado basso M4 Z UNI5588	Nut M4 low Z	2
19	0Z733	VTCCIC M4x12 Z UNI7687	Screw M4x12 Z	1
20	0ZV00004	VTCCIC M3x6 Z UNI7687	Screw M3x6 Z	2
21	0ZV00090	VTBIC 3,5x16 LN UNI1442 Z (autof.)	Self-threading screw 3.5x16 Z	2
22	0ZV00152AA	VTCCIC M4x8 Z UN71687	Screw M4x8 Z	11



Riferimento Reference	Codice Code
TRM-19	0WC00327AA
TRM-54	0WC00605AA
TRM-58	0WC00622AA
TRM-46	0WC00444AC
EAM2068	0WCU0010AA
EAM2069	0WCU0011AA



Rif. Ref.	Codice Code	Descrizione	Description	Q.tà Q.ty
1	OSM00301AA-(^)	Manuale RUN EXCITE	User manual - RUN EXCITE	1
2	OSM00300AB-M1	Manuale WELLNESS TV	WELLNESS TV manual	1
3	E0000009	Fascia elastica HR POLAR mod.T	Elastic strap	1
4	E0000013	Fascia trasmettitore HR POLAR	Non coded transmitter	1
5	R0004690AA-(#)	Service Box Run EXCITE	Service Box Run EXCITE	1
6	0V000271AA	Bott. tenuta stag.+spruz.+prol.	Bottle of oil	1
7	0WC00290	Cavo alim/ne rete 16A 250V (EUR)	Mains power cable 16A (EUR)	1
	0WC00289	Cavo alim/ne rete 20A 250V (USA)	Mains power cable 20A (EUR)	1
	0WC00600AA	Cavo alim/ne rete 20A 125V (USA)	Mains power cable 20A (EUR)	1

(^) Complete the code with any language abbreviation from the list below:
-M1: Italiano - Italian, Inglese - English, Tedesco - German, Francese - French, Olandese - Dutch.
-M2: Inglese - English, Spagnolo - Spanish, Portoghese - Portuguese, Giapponese - Japanese.

Rif. Ref.	Codice Code	Descrizione	Description	Q.tà Q.ty
8	0WC102	Riduzione tedesca 16A	Plug adaptor 16A	1
9	A0000157AA	Carrello movimentazione RUN EXCITE	Transportation device for EXC	1

(#) Complete the code with any language abbreviation from the list below:
-E: Europeo - European, **-U:** Americano - American.

